



Operating Deflection Shape Analysis

Correct Machine Motion Problems with Operating Deflection Shape Analysis

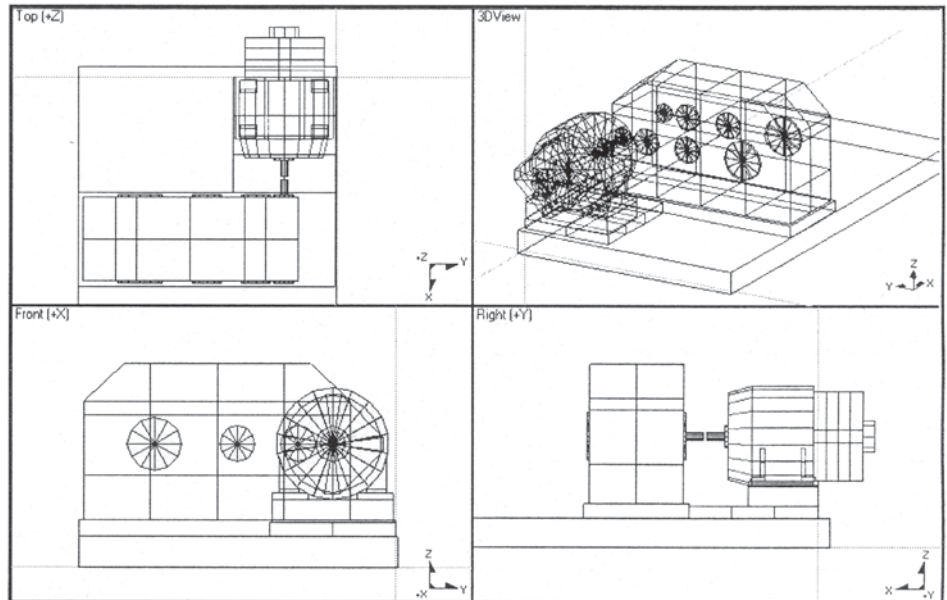
Dedicated People, Quality Products, and above all, Service



L&S Electric's Operating Deflection Shape (ODS) Analysis allows you to actually see the dynamic behavior of your operating machinery through 3-D animation. With this vital information, you have the ability to take appropriate action to correct resonance or looseness related problems and prevent machine and component failure.

Why use this method?

- You can observe, analyze and document the dynamic behavior of your machinery
- An operating deflection shape is the easiest way to actually see how a machine or structure moves during operation
- Your machines do not need to be taken off-line, minimizing lost production time



- Detect problems in any kind of rotating equipment, bases or motor frames.
- Use as an acceptance test for new equipment.

Call our Reliability Services Department or your Account Representative for more information.

SCHOFIELD
5101 Mesker Street
Schofield, WI 54476
715.359.3155 or 800.283.8332

APPLETON
2820 N. Roemer Road
Appleton, WI 54911
920.730.0203 or 800.283.5564

STURTEVANT
10200 Durand Avenue
Sturtevant, WI 53177
262.886.1875 or 800.367.7676

ROTHSCHILD
1730 Cty. Hwy. XX
Rothschild, WI 54474
715.359.3155 or 800.283.8332

DULUTH
4413 Venture Ave.
Duluth, MN 55811
218.729.3375 or 800.943.9549

MENOMINEE
1100 56th Avenue
Menominee, MI 49858
906.864.2500 or 800.864.2507

MINNEAPOLIS
9300 Evergreen Blvd NW
Minneapolis, MN 55433
763.780.3234 or 800.290.9320

ENGINEERING
1810 Cty. Hwy. XX
Rothschild, WI 54474
715.359.3155 or 800.283.8332